



Machine Specification

67-33-7

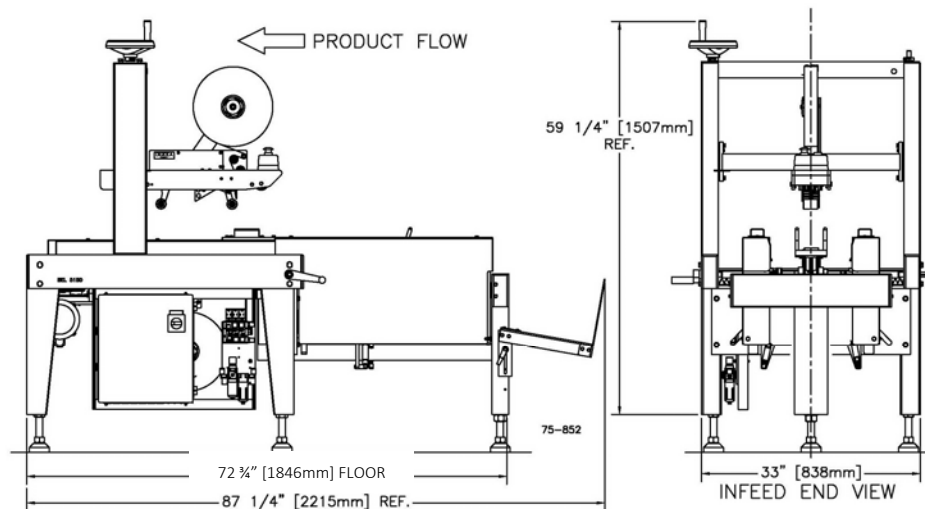
Effective: July 17, 2018
Replaces: January 24, 2013

BEL 5150 WFPS

Unified Case Forming, Packing & Semi-Automatic Sealing

The BEL 5150 WFPS combines the functions of a semi-automatic case former and packing station with a semi-automatic top and bottom case sealer into a single machine unit operated by one person. The case former section folds the bottom flaps of opened case blanks that are presented into it, and firmly supports the case for packing. As the filled or empty case is pushed out of the former into the combined case sealer, the former resets automatically ready to receive the next case blank. The sealer section's *Uni-Drive* conveyor holds cases securely and keeps them square for top and bottom tape sealing with either 2" or 3" wide tape.

The BEL 5150 requires 120V single phase electrical power and compressed air at 80-90 psi. / 6 Bar.



Standard Machine Specifications

		Length	Width*	Height
Case Size Range	Minimum	8" / 203 mm	5" / 127 mm	4.5" / 114mm**
All sizes listed are <i>outer</i> case dimensions.	Maximum	26" / 660 mm	18" / 457 mm	21" / 533 mm
Machine Dimensions		72.75" / 1846 mm	33" / 838 mm	59.25" / 1507 mm
In/Outfeed Height	Frame	22" / 559 mm		
With adjustable leg extensions [foot pad]	Minimum	25" / 635 mm		
	Maximum	32" / 813 mm		
Speed		Up to 15 cases / min.		
Shipping Weight	Approx.	600 lbs. / 273 kg.		

For further detail, see Layout Drawing 75-852

*Full minimum to maximum case width range requires the exchange of some components | **4.0" / 102mm for cases wider than 7" / 178mm

Construction

The frame is made of heavy-duty anodized aluminum 'C-Beam' extrusions that are corrosion resistant and paint-free. The former section has attractive stainless steel side covers and all fasteners used are stainless steel S.A.E.

Tape Heads

DEKKA Cadet, 2" tape width heads with quick loading feature and tape guide system. Optional DEKKA 23, 3" tape width heads and Dekka 215 / 315 shorter tape tail heads are available at extra cost. DEKKA tapehead technology is protected by U.S. patent 5,938,097.

Electrical Specifications

120 VAC, 10A., 60 cycle, 1-phase NEMA 12. The control system uses a Siemens LOGO logic controller with non-contact photo-sensors and solenoid valves operating at 24 VDC.

Compressed Air Requirements

0.1 CF/Cycle @ 80-90 P.S.I. (6 Bar)

Conveyor Drive System

A *Uni-Drive* synchronized side belt conveyor system powered by a single 1/2 H.P. TEFC motor and gear reducer ensures both side belt speeds are synchronized to avoid skewing of cases during transport through the sealer.

Conveyor Belts

Nominal 3" rough top continuous loop with finger splice joint and V-rib guide.

Safety Provisions

Case blanks lowered into the forming section must activate 3 separate sensors simultaneously before the machine will actuate. The operator's hands remain outside the perimeter of the machine forming section during the flap folding process and all moving parts are behind guards.

Nameplates / Identification

The machine Model Number and Serial Number appear on a nameplate and the serial number is also stamped onto the machine frame.

Documentation

- On-machine illustrated adjustment and operation instruction labels
- Operation & Service Manual - providing set up, operating and troubleshooting information
- Technical Reference – spare parts kits, assembly and parts reference drawings, pneumatic control diagrams

Warranty

On Machinery and Parts manufactured by the Company, Wexxar Packaging Inc. (the "Company") warrants to the original purchaser ("Buyer") of the product described above (the "Product") that:

- (a) all non-moving, structural components of the Product (excluding hot melt systems and tapeheads) in all material respects, will be free of defects due to imperfect material or workmanship for a period of One (1) year from the date of invoice:
- (b) all powered mechanical parts of the Product, in all material respects, will be free of defects due to imperfect material or workmanship for a period of at least one (1) year from the time of shipping from the Company's factory;

and following Company's acceptance of a warranty claim, upon the Buyer's delivery of the defective Product to the Company's factory, the Company will repair or replace it at the Company's option.

The warranties set out above do not extend or apply to:

- (a) the routine replacement of parts due to normal wear and tear arising from use; this warranty does not extend to parts which may presumably be expected to wear out during the warranty period;
- (b) damage attributable to accident, misuse, improper maintenance, power surge, improper connection to a power source, placement of Product in hostile environment, or alterations not authorized by the Company, negligence, or accident;
- (c) accessories, attachments, parts or instruments sold with or attached to the Product that do not bear the Company's trade mark ("Components");
- (d) any warranty claims not made in writing to the Company at its head office within the applicable warranty period and within ten (10) days of Product failure.
- (e) This warranty does not cover shipping costs;

This warranty shall be the only warranty in effect and is made exclusive of all other warranties and guaranties written or oral, expressed or implied.

COMPONENTS	On request and to the fullest possible extent, the Company will assign to the Buyer any interest it has in Component suppliers' warranties for separately manufactured parts and accessories which form; are attached to; or constitute part of the Product. This includes tape heads.
CANCELLATION	Orders cannot be cancelled without consent of an authorized employee of the Company and in such cases the customer will fully indemnify the Company, unless agreed otherwise in writing by the Company.
TITLE	The title and right of possession of the goods quoted hereto shall remain with the Company and such goods shall remain Company property until all payments have been made in full. The purchaser agrees to do all that is required to maintain such right and title with the Company.
PRICE	All prices quoted are F.O.B. Company warehouse unless otherwise specified. Prices quoted are subject to change and do not include taxes or duties, if applicable.