



EoL

END OF LINE

2010 INTERMITTENT SIDE SEAL WRAPER



Easy to use and rugged enough for constant operation

The 2010 is Texwrap's offering for applications requiring the wrapping of products at moderate speed where product length or height exceeds the capacity of an L-sealer. The 2010 has a big product handling capacity capable of wrapping products up to 10" high and up to 20" wide and, with film/conveyor speeds of 100 feet per minute, the 2010 has plenty of speed to handle a variety of applications.

The 2010's 2-belt design means that the end seal is made prior to the side seal. This design allows the 2010 to fit in the space of an L-sealer but also requires the product to be spaced apart prior to entering the infeed conveyor.

FEATURES AND BENEFITS

- Compact 2-belt design
- Large product size capacity
- Easy change-over "tool-less" set up
- Color touchscreen with set-up product memory & machine diagnostics
- Upstream / downstream handshaking, quick connect cable system for additional equipment
- Welded tubular construction with powder coat finish
- Internal scrap take up with film break and take up reel alarms
- Sensor-less vector AC drives
- Fully guarded

TYPICAL PRODUCT SPECIFICATIONS

Maximum Package Size	10"H x 20"W x infinite length (maximum dimensions cannot be combined)
Minimum Package Size	4"L x 2"W (standard) 2"L x 2"W (with closing conveyor)
Electrical Requirements	208/240 Vac, 1 phase, 18/15 amp
Conveyor Width	20"
Conveyor Height	Adjustable from 32.5" to 38.5"
Cross Seal Width	24"
Cross Seal Drive	Pneumatic

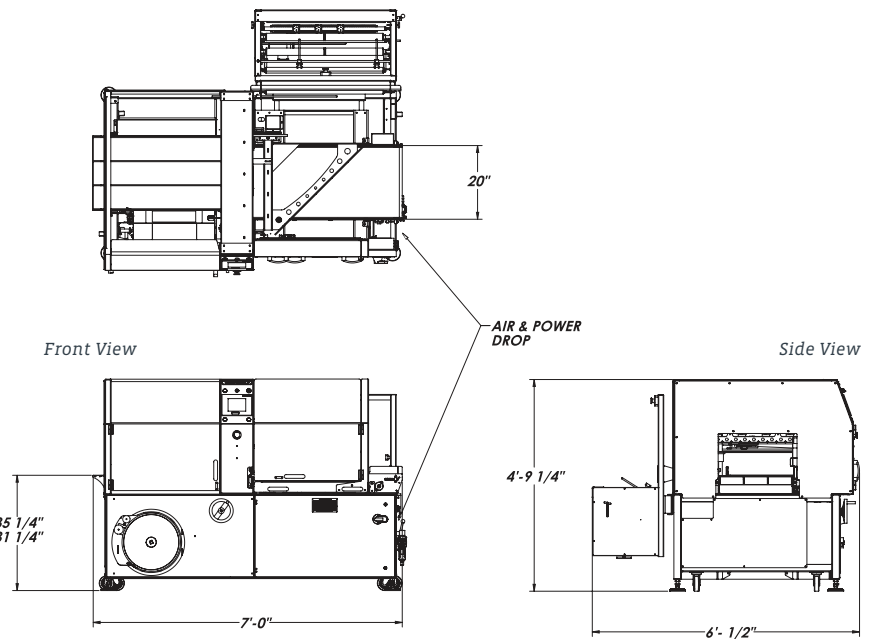
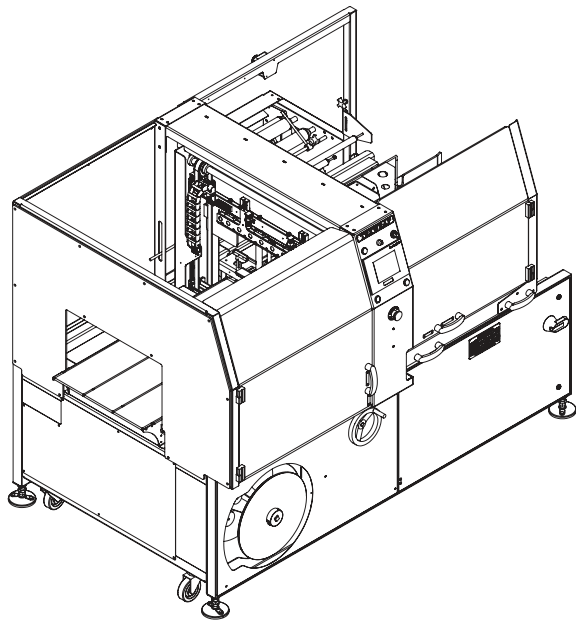
Air Requirements	80 PSI, 5CFM
Machine Controls	Allen Bradley PLC
Maximum Film Width	32" centerfolded
Maximum Film Speed	100 feet per minute
Operator Control Panel	Color touch screen

* Specifications on all machines subject to change without notice. Some information may have been updated since the time of publication.

CONFIGURATION

MultiView

Overhead View



MORE ABOUT THE 2010

The 2010 is easy to use, rugged enough for constant operation, and comes standard with premium features not available on competitive models in this price range including low-mount film cradle, touchscreen library to easily recall package setups, and automatic dwell time compensator. Allen-Bradley controls, restricted service-level menus, and AC VFD drives make the 2010 as popular with maintenance staffs as with operators.